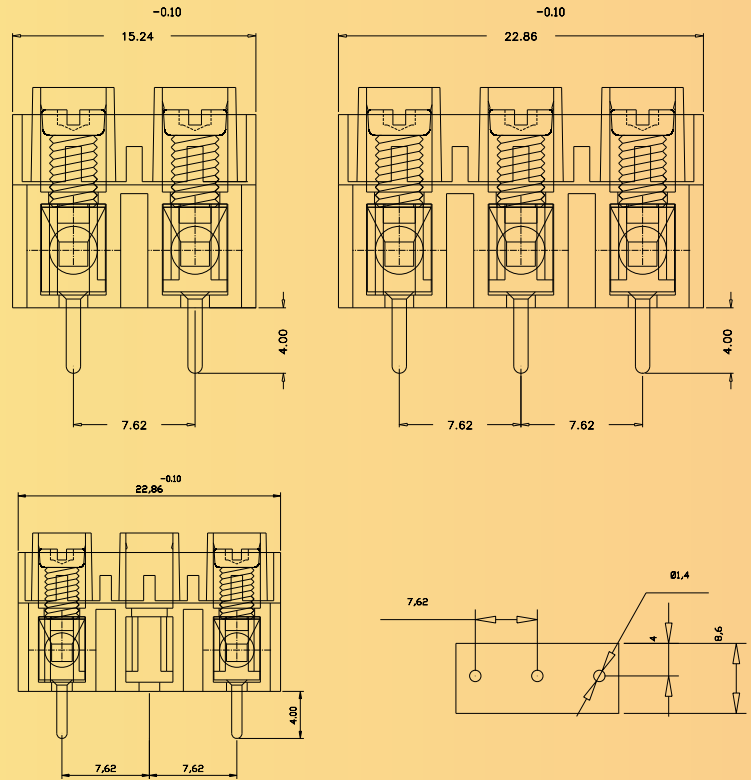


### DIMENSIONS



### TECHNICAL SPECIFICATION

Current Rating	10A
Voltage Rating	600V
Insulation Resistance	> 1000M ohms at 500V DC
Dielectric Strength	>2 KV
Moulded Material	Engineering Thermoplastic
Terminal	Solid Brass alloy - Tinned
Pitch	7.62 mm
Screw	MS(Zinc Plated)
Wire size	0.5-2.5 mm <sup>2</sup>
Wire Protector	Copper alloy
Screw Size	M3
Max. torque for terminal Screws	0.4 Nm

Note : (1) Flame Retardent Grade Insulator Confirming to UL 94 V-0 available on Request.  
(2) Recommended PCB hole 1.40 mm.

### Series Also Includes...



500



501



126



350



381



PBT W



527



ETK 50



PUT 2.5